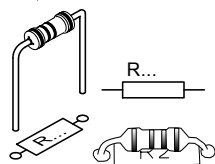


1

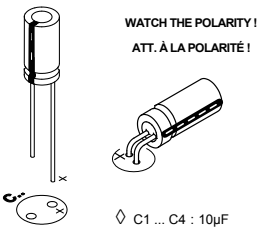
Resistor - Weerstand - Résistance - Widerstand - Resistencia - Motstand - Vastus - Resistenze



R1 ... R4: 1K	(Brown, Black, Red) - (Bruin, Zwart, Rood) - (Brun, Noir, Rouge) - (Braun, Schwarz, Rot) - (Brun, Svart, Röd) - (Ruskea, Musta, Punainen) - (Marrón, Negro, Rojo) - (Castanho, Preto, Encarnado) - (Marrone, Nero, Rosso)
R5,R6: 82K	(Grey, Red, Orange) - (Grijs, Rood, Oranje) - (Gris, Rouge, Orange) - (Grau, Rot, Orange) - (Grå, Röd, Orange) - (Harmaa, Punainen, Oranssi) - (Gris, Rojo, Naranja) - (Cincento, Encarnado, Laranja) - (Grigio, Rosso, Aranciato)
R7,R8: 100K	(Brown, Black, Yellow) - (Bruin, zwart, Geel) - (Brun, noir, Jaune) - (Braun, Schwarz, Gelb) - (Brun, Svart, Gul) - (Ruskea, Musta, Keltainen) - (Marrón, Negro, Amarillo) - (Castanho, Preto, Amarelo) - (Marrone, Nero, Giallo)

2

ELECTROLYTIC CAPACITOR

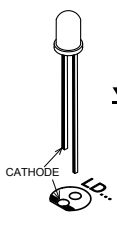


WATCH THE POLARITY!
ATT. À LA POLARITÉ!

◇ C1 ... C4 : 10µF

4

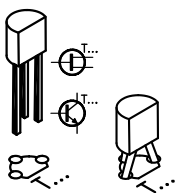
LEDs



◇ LD1	◇ LD9
◇ LD2	◇ LD10
◇ LD3	◇ LD11
◇ LD4	◇ LD12
◇ LD5	◇ LD13
◇ LD6	◇ LD14
◇ LD7	◇ LD15
◇ LD8	◇ LD16

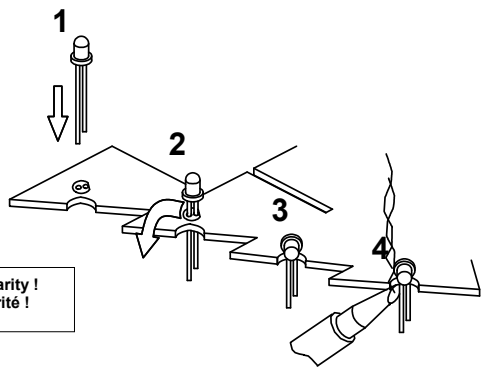
3

TRANSISTOR

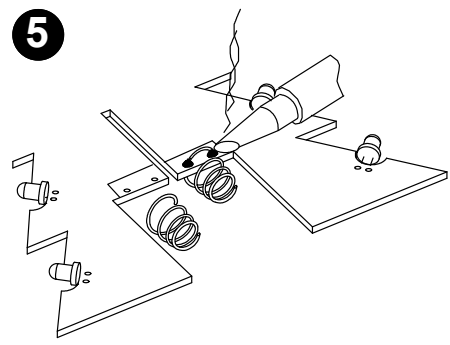


Watch the polarity!
Att. à la polarité!

◇ T1 ... T4 : BC547

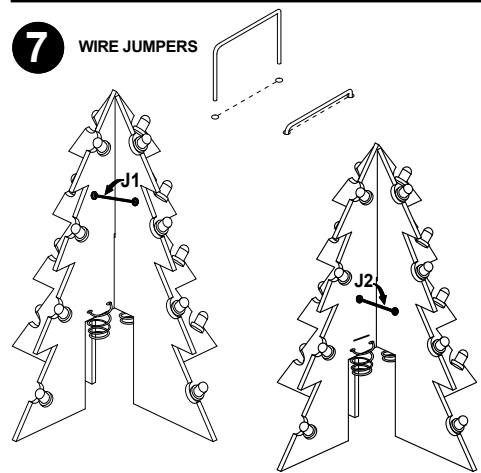


5

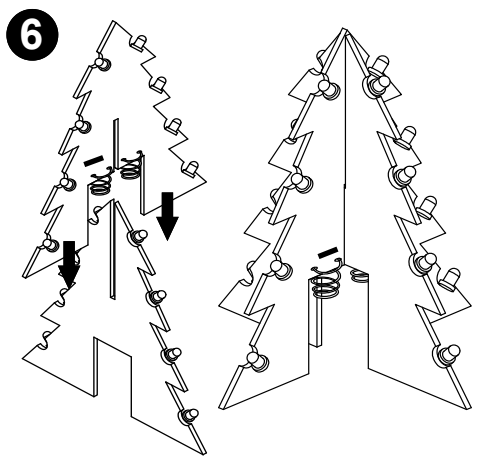


7

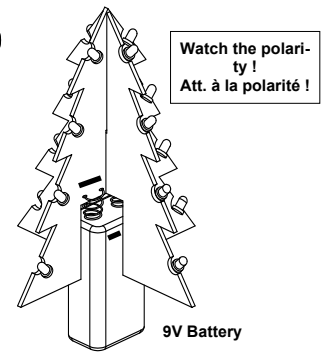
WIRE JUMPERS



6



8



Watch the polarity!
Att. à la polarité!

9V Battery

